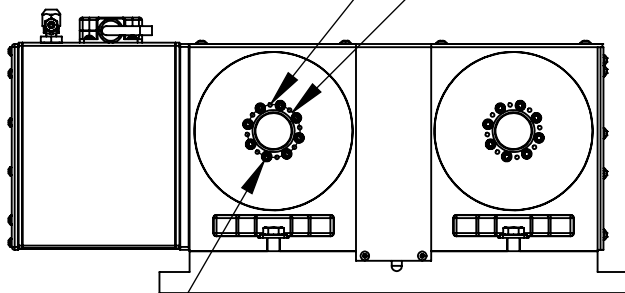
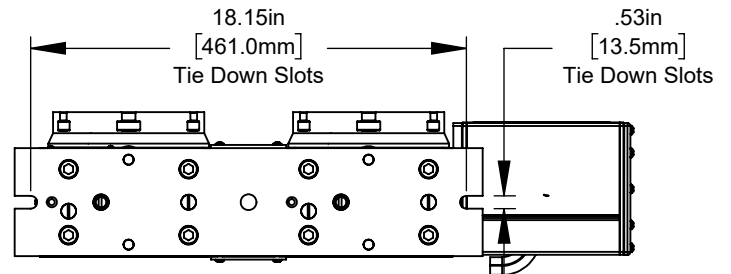


8X  $\phi$  .16in [4.0mm]  $\nabla$  .49in [12.4mm]  
10-32 UNF - 2B  $\nabla$  .38in [9.7mm]

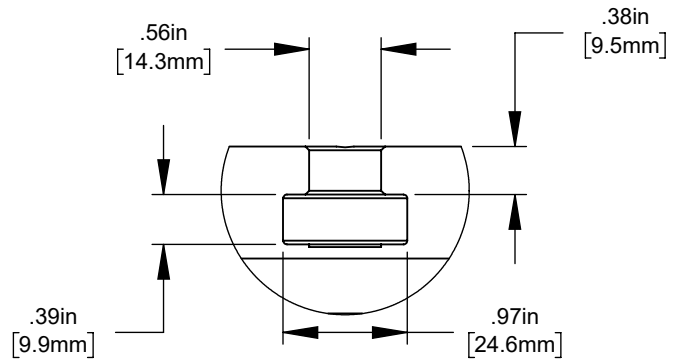
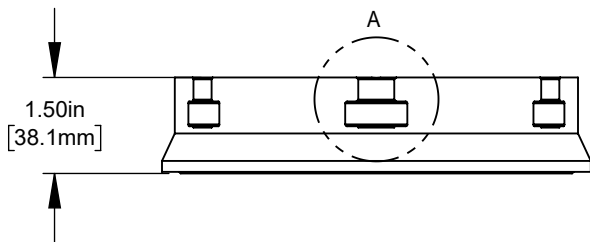
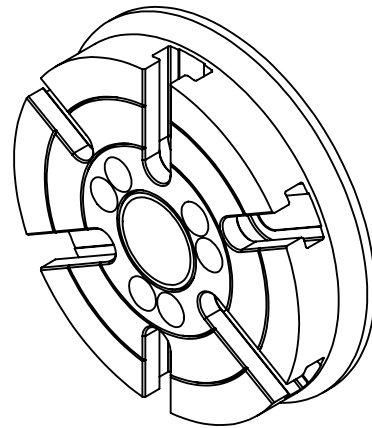
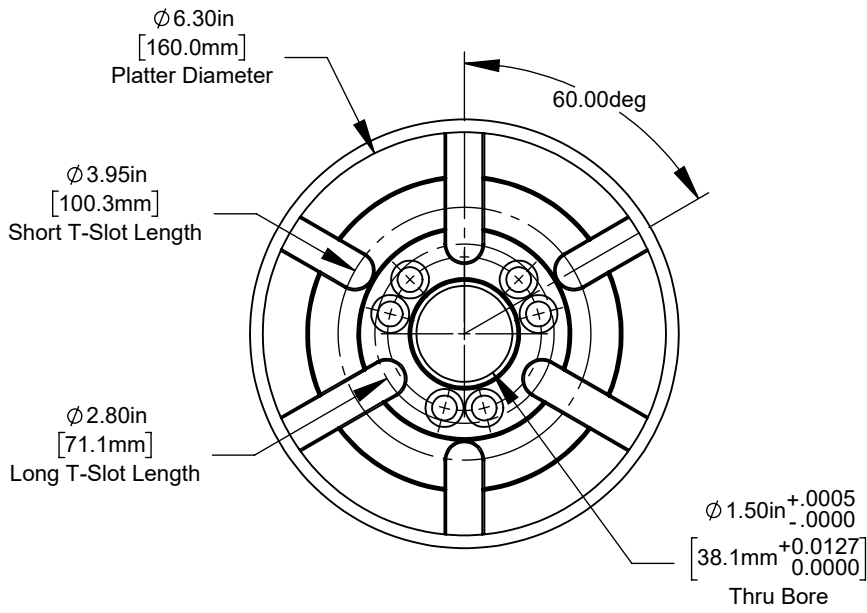
$\phi$  2.20in  
[55.9mm]  
Bolt Hole Circle



8X  $\phi$  .27in [6.8mm] THRU ALL  
 $\square$   $\phi$  .41in [10.3mm]  $\nabla$  .26in [6.5mm]



All dimensions based on stackup of sheetmetal, subject to variation of 1/2" ( 13 mm)



**DETAIL A**  
**SCALE 2 : 3**